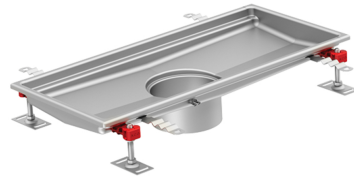
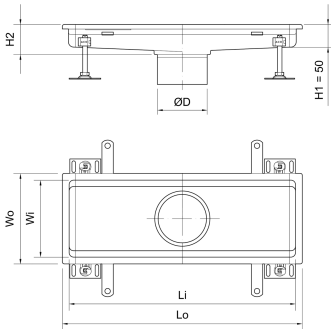


## ACO hygienic box channel - standard edge

### Product information for the product group



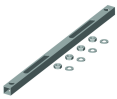
#### ACO Product benefits



- BIM models are available in ACO Building Drainage BIM Revit libraries
- Hygienic design following EN 1672, EN ISO 14159 and EHEDG document 8, 13 and 44
- Certified according to EN 1253-1
- Available in 1.4301 (304) or 1.4404 (316L) grades of stainless steel
- Outlet diameter 125, 142 or 200 mm
- V-shape bottom for width up to 300 mm, reinforced bottom for width above and including 400 mm
- Adjustable EasyFix levelling feet
- Anchors for fixing in concrete
- ACO hygienic drainage developed under HygieneFirst philosophy fulfils strongest hygienic requirements and applies relevant hygienic design principles reserved for food processing equipment.
  - Fully inspectable and cleanable
  - Full drainability
  - Internal radii equal or larger than 3 mm
  - Minimal longitudinal slope 1%
  - Minimal sectional slope 5°
  - Fully welded hygienic joints
  - Steel thickness min. 1,5 mm
  - Edge infill
  - ACO protective cover available
  - Fully pickled and passivated
- Wide range of gratings for load class L 15, R 50, M 125 or N 250 (EN 1253-1) including slip resistant solution
- Silt basket available as accessory
  - ACO gully 142
  - ACO gully 157
  - ACO gully 218
  - ACO gully EG150
  - ACO pipe

### Item Technical Data 416591

Wo [mm]	Wi [mm]	Channel dimensions				D [mm]	Gully	Material
		Lo [mm]	Li [mm]	H2 [mm]				
200	170	830	800	60	142	ACO hygienic gully 157	1.4301	

### Accessories

	Description	Item number
	<p><b>EasyFix stabilizing set</b></p> <p>The EasyFix stabilizer is recommended for firm installation of ACO channels during the fixation stage.</p>	<b>446513</b>

	Description	Item number
	<p><b>Silt basket</b></p> <ul style="list-style-type: none"> <li>Stainless steel</li> <li>0,4 litre capacity</li> </ul>	
	Material grade 1.4301 (304)	<b>416900</b>
	<p><b>Silt basket</b></p> <ul style="list-style-type: none"> <li>Stainless steel</li> <li>0,3 litre capacity</li> </ul>	
	Material grade 1.4301 (304)	<b>416902</b>

You can find further accessories under → <https://www.buildingdrainage.aco/suche/?q=416591>