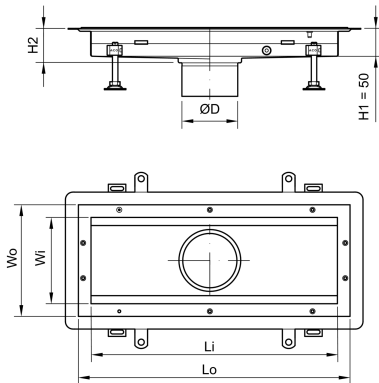


ACO vinyl box channel - standard size

Product information for the product group

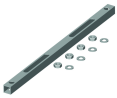



- BIM models are available in ACO Building Drainage BIM Revit libraries
- Certified according to EN 1253-1
- Available in 1.4301 (304) or 1.4404 (316L) grades of stainless steel
- Steel thickness min. 1.5 mm
- Fully pickled and passivated
- Outlet diameter 125, 142 or 200 mm
- V-shape bottom for width up to 300 mm, reinforced bottom for width above and including 400 mm
- Adjustable EasyFix levelling feet
- Anchors for fixing in concrete
- Wide range of gratings for load class L 15, R 50, M 125 or N 250 (EN 1253-1) including slip resistant solution
- Silt basket available as accessory

Item Technical Data 413358

Section	Channel dimensions		Channel dimensions				Gully	Material
	Wo [mm]	Wi [mm]	Lo [mm]	Li [mm]	H2 [mm]	D [mm]		
Vinyl	220	170	550	500	60	125	ACO hygienic gully 142	1.4301

Accessories

	Description	Item number
	<p>EasyFix stabilizing set</p> <p>The EasyFix stabilizer is recommended for firm installation of ACO channels during the fixation stage.</p>	446513
	<p>Silt basket</p> <ul style="list-style-type: none"> ■ Stainless steel ■ 0,4 litre capacity 	<p>Material grade 1.4301 (304)</p> <p>416900</p>

You can find further accessories under → <https://www.buildingdrainage.aco/suche/?q=413358>